

READ THROUGH ALL INSTRUCTIONS BEFORE INSTALLATION.

ALWAYS WEAR PROPER SAFETY EQUIPMENT WHEN DRILLING.

INSTRUCTIONS WITH (*) ONLY APPLY TO CASES WITH WHEELS.

RECOMMENDED TOOLS:

- CORDLESS POWER DRILL
- PENCIL
- 1/4" DRILL BIT
- RUBBER Mallet
- SOCKET WRENCH SET

STEP 1

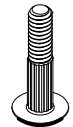
- (*) REMOVE WHEEL ASSEMBLY FROM CASE BY UNSCREWING MOUNTING BOLTS (LOCATION VARIES BY CASE).
- USING PANEL AS A GUIDE, MARK 1/4 INCH HOLE LOCATIONS ON THE BOTTOM OF THE CASE.
- DRILL HOLES.

STEP 2

- INSERT BOLT (A) THROUGH HOLE IN CASE.
- GENTLY TAP BOLT (A) ALL THE WAY DOWN WITH Mallet.
- PLACE SPACER (B) OVER BOLT (A).
- PLACE A STANDARD SOCKET OVER SPACER (B).
- GENTLY TAP SPACER (B) ALL THE WAY DOWN WITH Mallet.
- (*) REATTACH WHEEL ASSEMBLY.

STEP 3

- PLACE PANEL ON TOP OF SPACER (B).
- PLACE NUT (C) OVER PANEL.
- TIGHTEN NUT (C) USING SOCKET WRENCH.



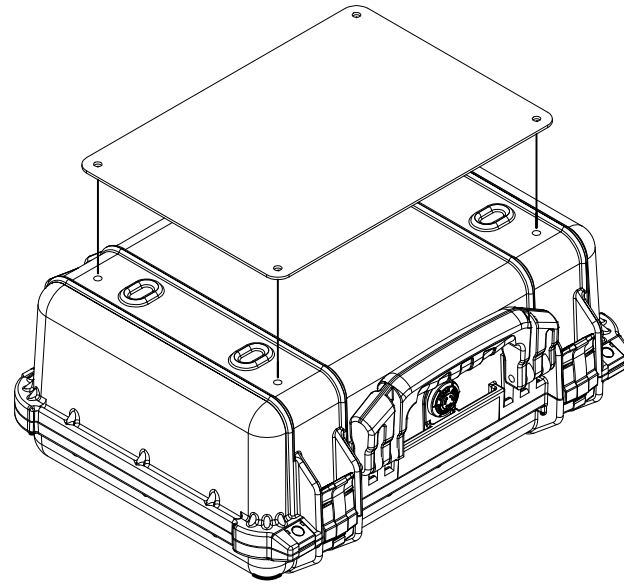
A = 4X



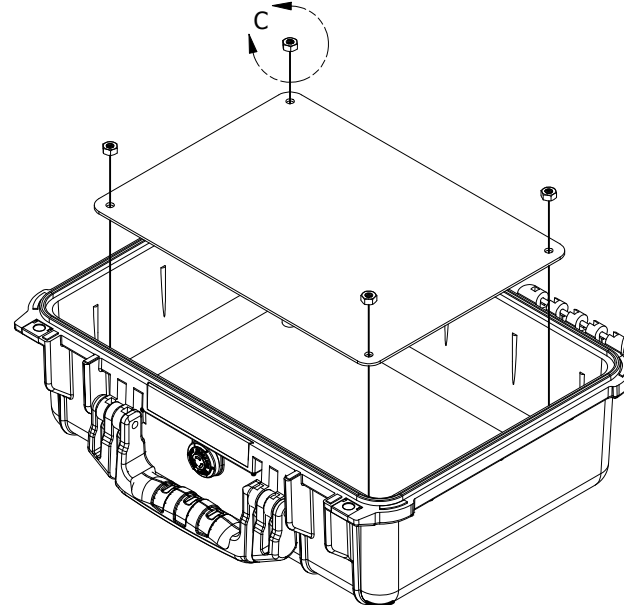
B = 4X



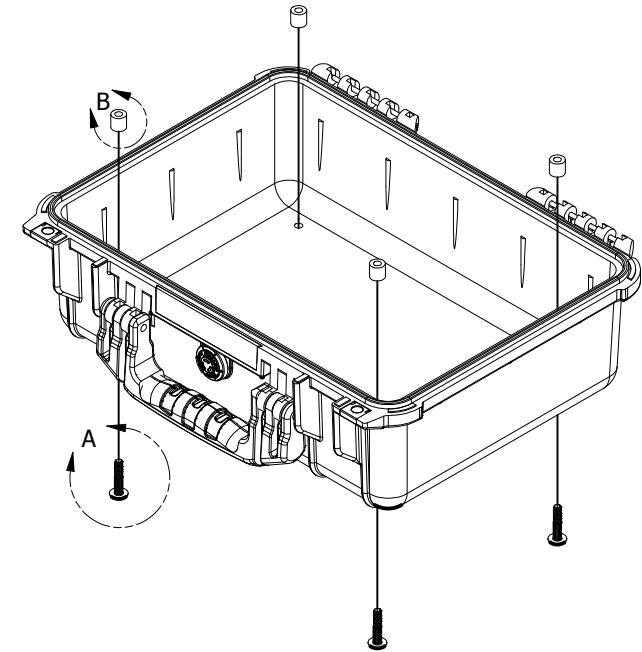
C = 4X



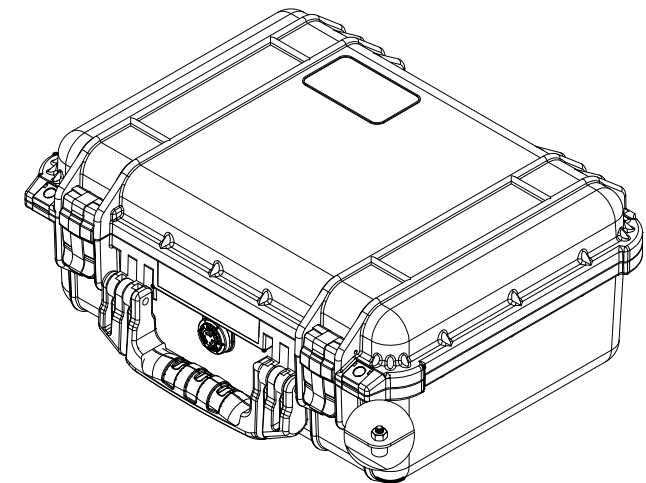
STEP 1



STEP 3
(SHOWN WITHOUT LID)



STEP 2
(SHOWN WITHOUT LID)



FINISH
(WITH CUTAWAY VIEW)